

TECHNICAL DRAWING EXERCISES

Draw the three views (front, top and side) of the following objects:

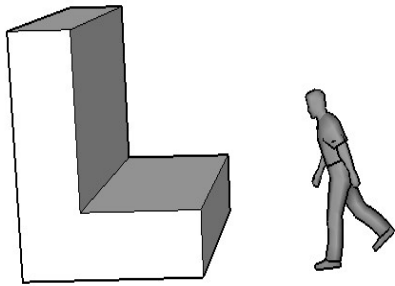


fig. 1

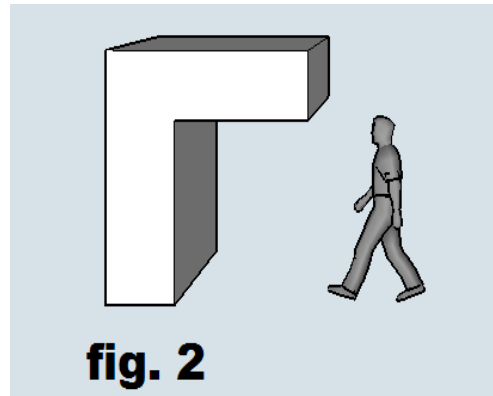


fig. 2

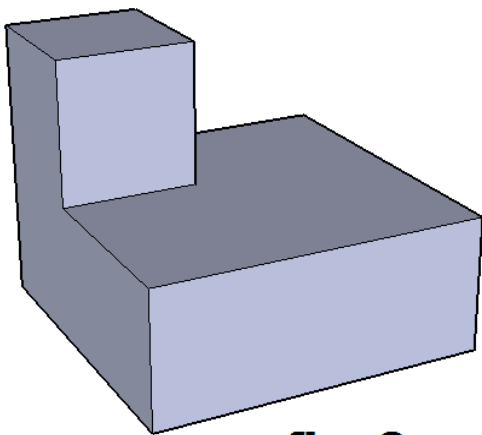


fig. 3

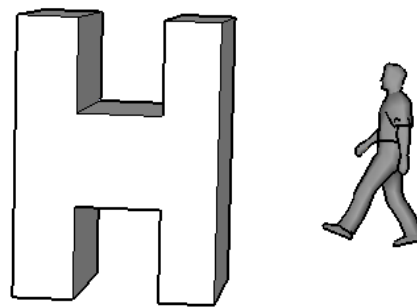


fig. 4

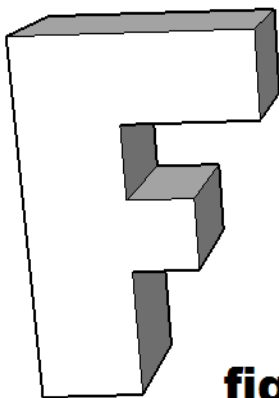


fig. 5

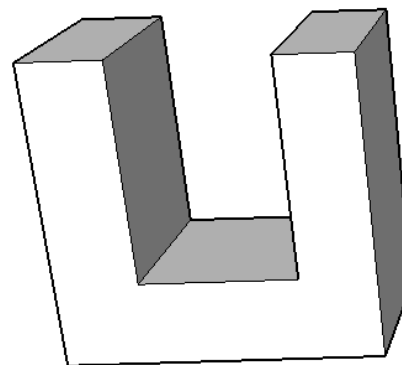


fig. 6

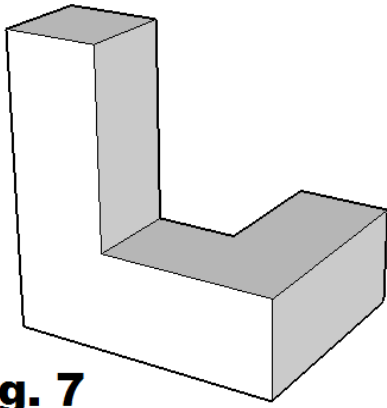


fig. 7

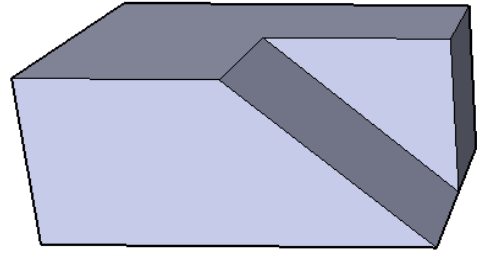


fig. 8

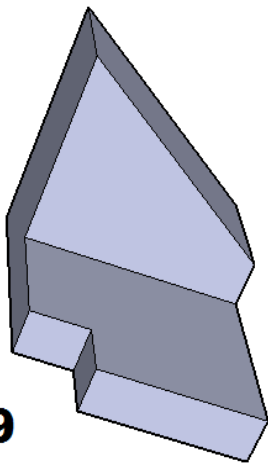


fig. 9

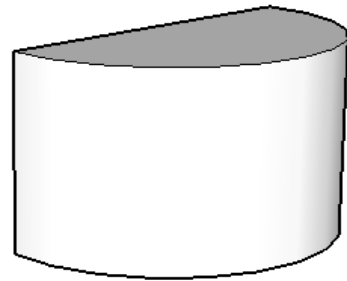


fig. 10

fig. 11

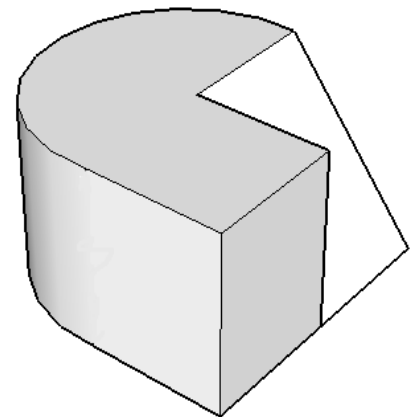
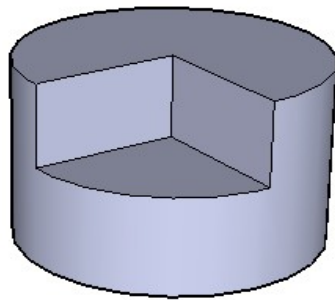


fig. 12